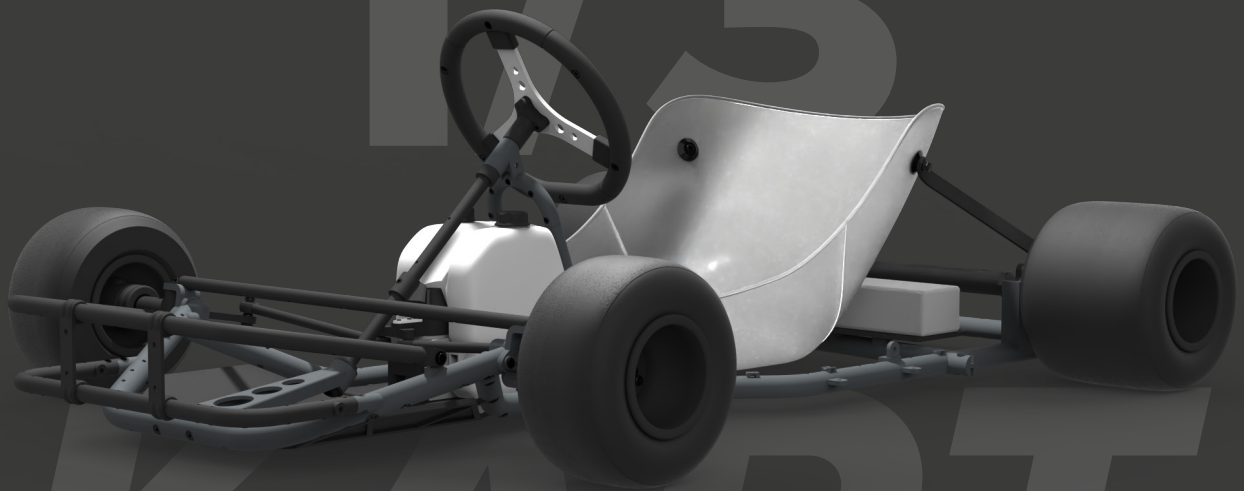




CACTUS
CRAFT



Addon 1 - fuel tank
& steering wheel linked to the steering mechanism, fully rotatable

user manual



What you need:

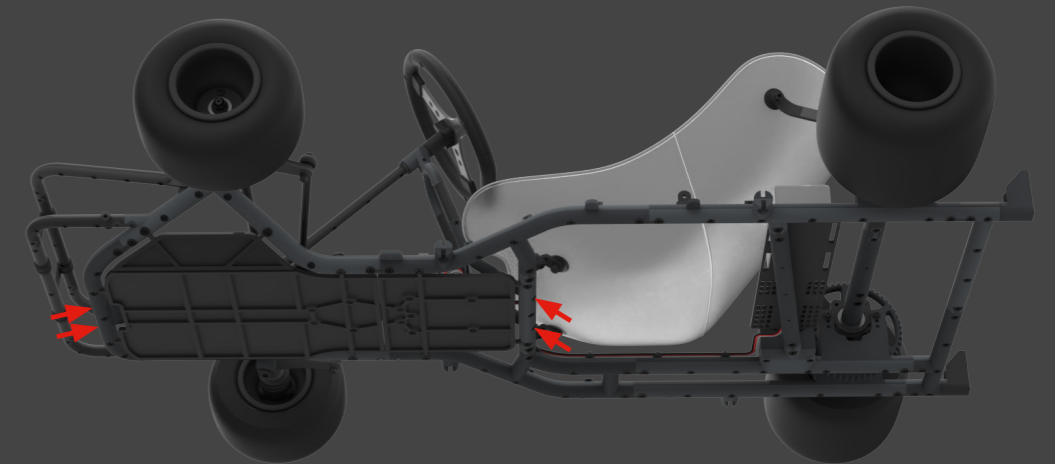
Filament PLA / PLA CF / PC CF

Hardware	M1.6x5mm	6x	link
	M2x8mm (thin flat head)	7x	link
	M2x10mm (thin flat head)	1x	link
	M3x20mm	1x	link
	Magnets 3x2mm	12x	link

1/3 Kart addon assembly

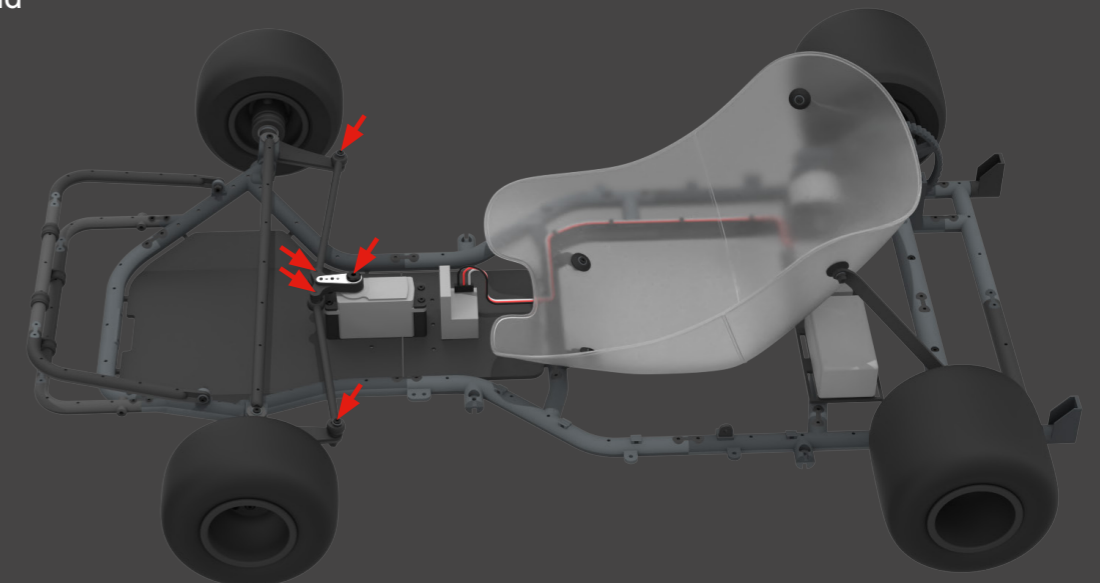
1.

Unscrew 4x M2 screws to detach steering tower.



2.

Unscrew 5x screws to detach servo horn and steering links.





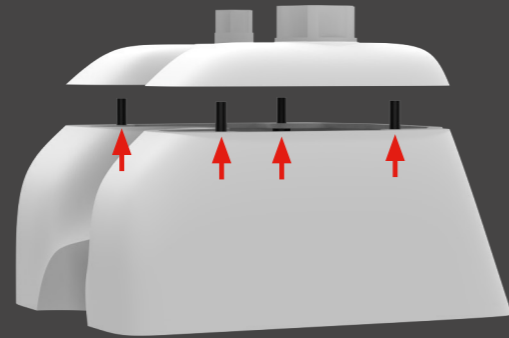
1/3 Kart addon assembly

3.

File:
FT_1

Hardware:
M1.6x5mm 4x

Connect FT_1 parts with
M1.6x5mm screws.

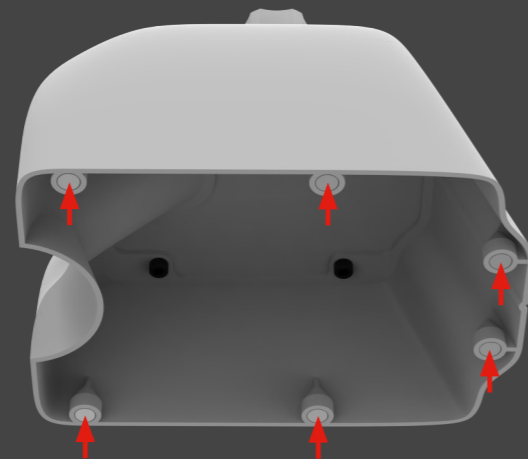


4.

File:
FT_1

Hardware:
3x2mm magnets 6x

Insert magnets to FT_1 part. Use CA
glue to secure the magnets.



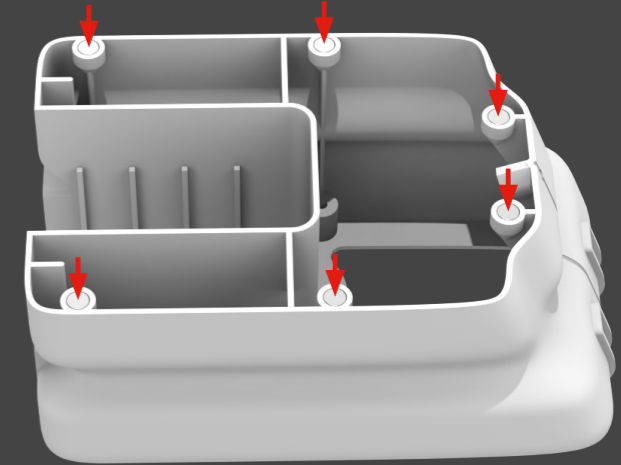
1/3 Kart addon assembly

5.

File:
FT_1

Hardware:
3x2mm magnets 6x

Insert magnets to FT_1 part. Use CA
glue to secure the magnets.

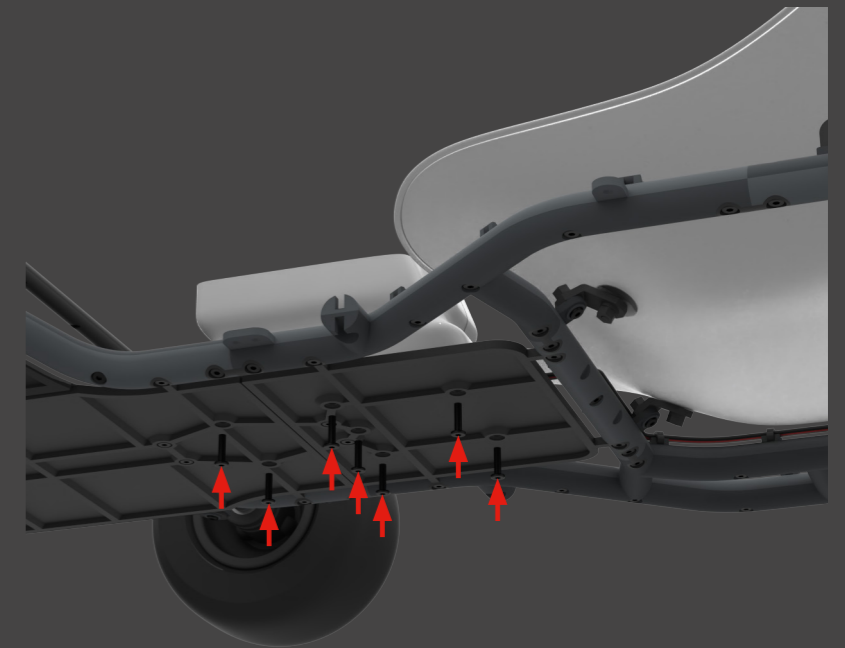


6.

File:
FT_1

Hardware:
M2x8mm 7x

Attach FT_1 part to the chassis
with M2x8mm screws. Secure
receiver into the fuel tank with
doubleside tape.



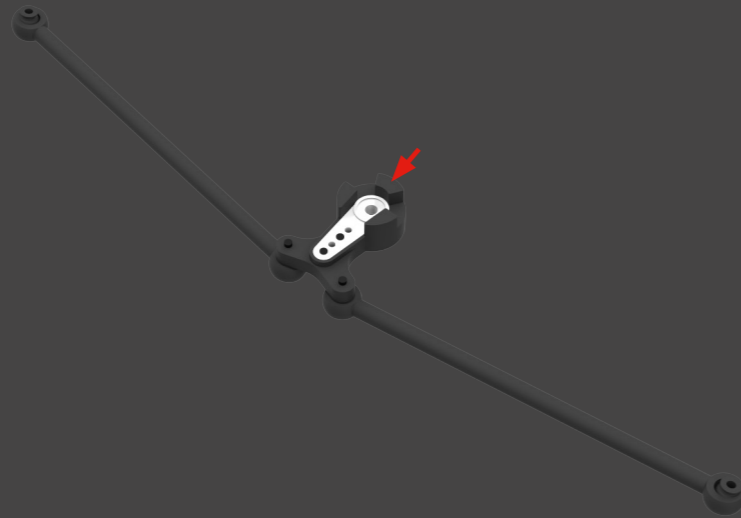


1/3 Kart addon assembly

7.

File:
Steering

Change servo horn part and attach links to it.

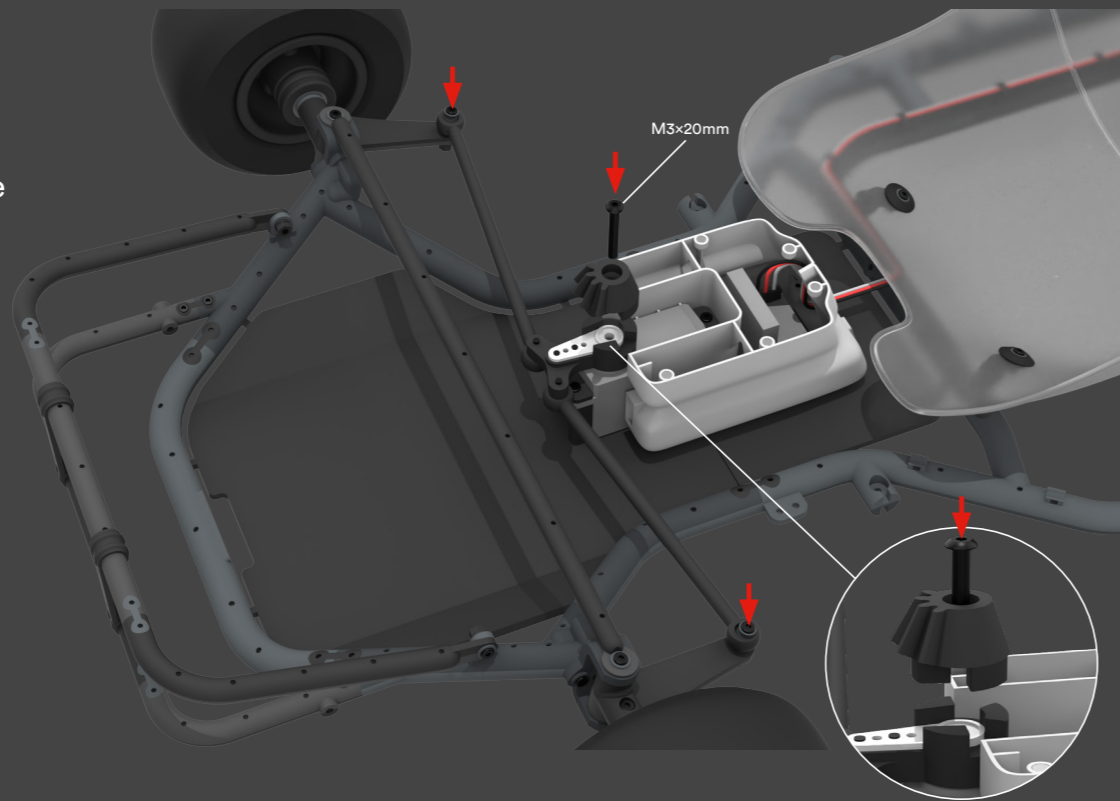


8.

File:
Steering

Hardware:
M3×20mm 1x

Attach servo horn to the servo, connect steering links to the spindles. Attach part from the Steering file to the servo horn and secure it to the servo using an M3×20mm screw.

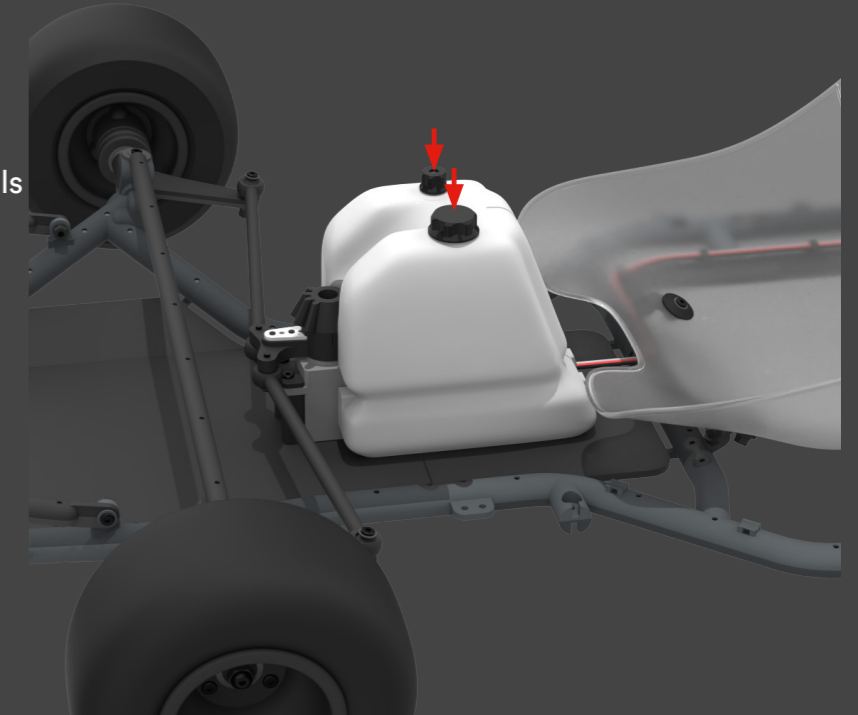


1/3 Kart addon assembly

9.

File:
FT_1, FT_2_details

Attach two parts of the fuel tank with magnets. Attach fuel tank details to its place. Details are press-fitted, you can optionally use CA glue.

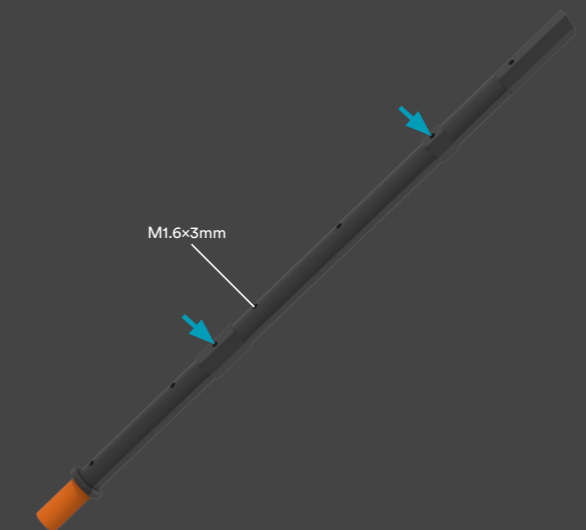


10.

File:
Steering

Hardware:
M1.6×3mm 5x

Connect two halves of the steering shaft with M1.6×3mm. **Cylinder** is press-fitted. Do not install screws [here](#) yet.





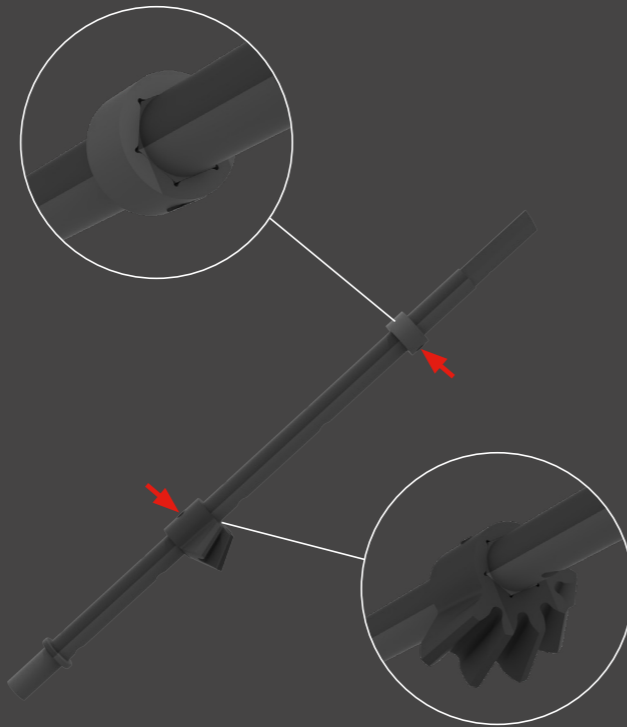
1/3 Kart addon assembly

11.

File:
Steering

Hardware:
M1.6x5mm 2x

Secure parts from Steering file to the steering shaft with M1.6x5mm screws.



12.

File:
Steering

Assemble steering tower same as before but with new steering shaft.

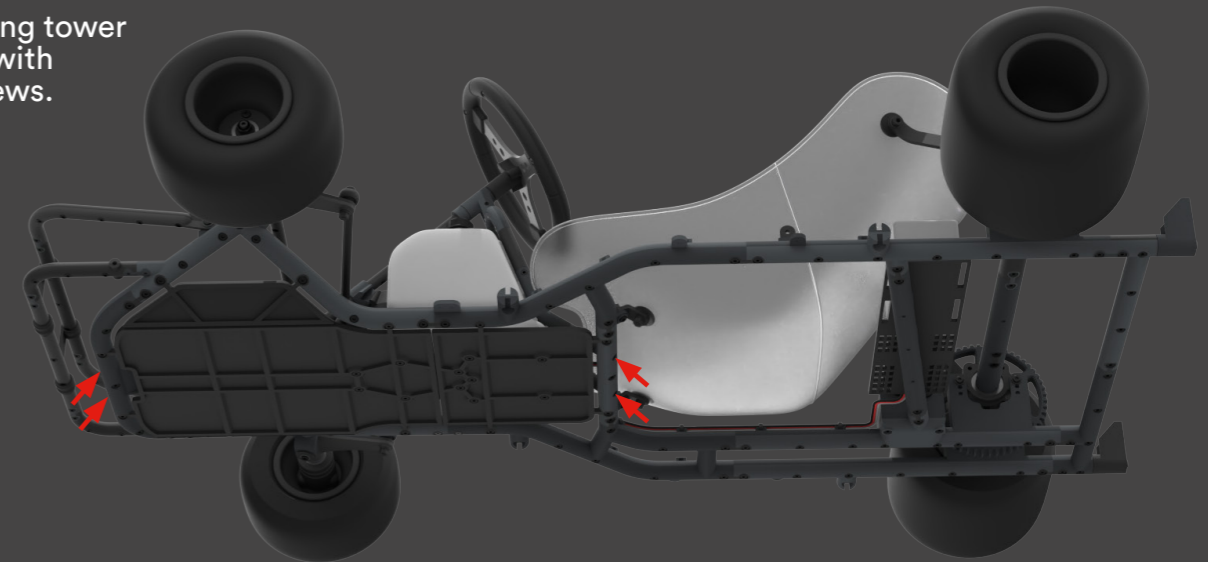


1/3 Kart addon assembly

13.

File:
Steering

Connect steering tower to the chassis with M2x16mm screws.



14.

File:
FT_1, FT_2_details

Hardware:
M2x10mm 1x

Attach fuel tank detail to it's place. Use M2x10mm screw.

Your new addon is finished and ready for the first run!

Feel free to share your builds, experiences, tips, photos or videos and ideas with fellow makers on our community facebook page. Link below. Thank you!

